

8

7

6

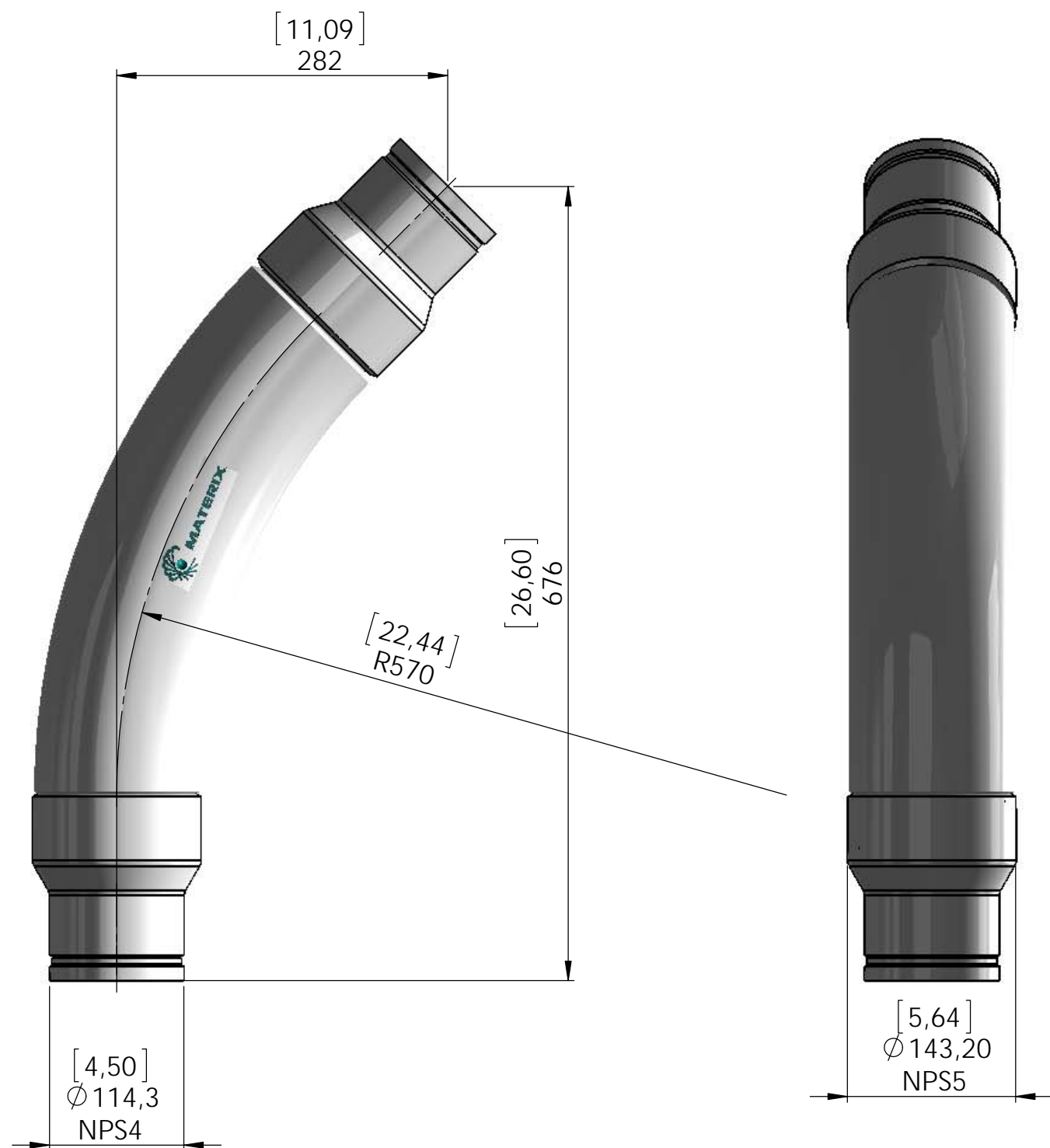
5

4

3

2

1



Notes

Specifications

MAWP	10bar
MDMT	-20°C
Design Temp	+150°C
Test Pressure	15 bar
Material: Carrier	Carbon steel
Material: Inlay	SiC
Connection	Victaulic Optional: weldprep groove
Coating	NORSOK M710, System 1
CLR/ OD Ratio	5D

Rev	Date	Description	Made by	Chk'd by	Appr by
		Issued for Information	ELe		

		Project	Client PNo.:	
Title WRPF 5D-45 NPS4 SCH40 Interface		Client Ref.:	Weight 27.43	
Dwg number 1034-MTX-AD-0132-1		Revision 0.1	Sheet 1 of 1	Tolerance Surface Finish Scale 1:5

This drawing is the property of Materix AS and shall not be traced, copied nor forwarded to any third party or published in any other way without Materix AS written consent.