

8

7

6

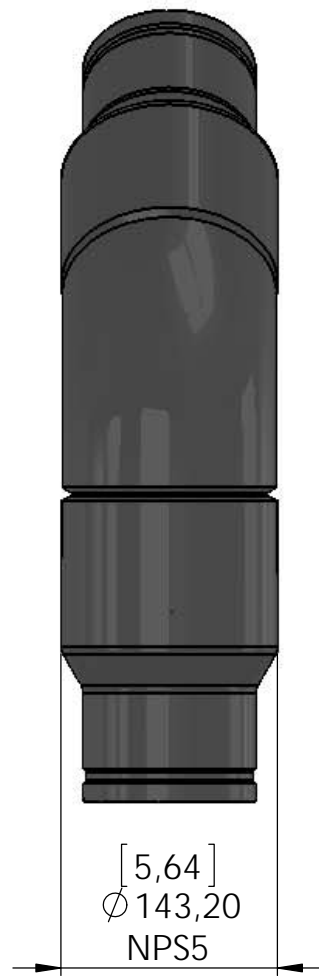
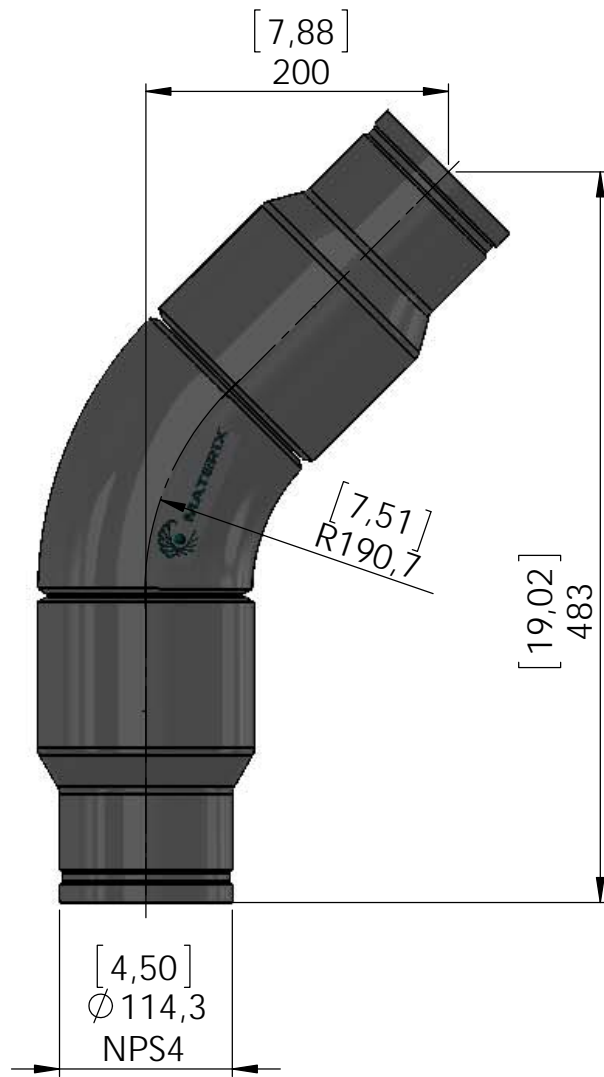
5

4

3

2

1



Notes

Specifications

| | |
|-------------------|--|
| MAWP | 10bar |
| MDMT | -20°C |
| Design Temp | +150°C |
| Test Pressure | 15 bar |
| Material: Carrier | Carbon steel |
| Material: Inlay | SiC |
| Connection | Victaulic Optional: weldprep groove |
| Coating | NORSOK M710, System 1 |
| CLR/ OD Ratio | 1.7D |

| | | | | | |
|-----|------|------------------------|---------|----------|---------|
| Rev | Date | Description | Made by | Chk'd by | Appr by |
| | | Issued for information | ELe | | |

| | | | | |
|------------|--|--------------|----------------|--------|
| | | Project | Client PNo.: | |
| Title | | Client Ref.: | Weight | 16.45 |
| | | Tolerance | Surface Finish | |
| Dwg number | | Sheet Size | Scale | 1:5 |
| | | Revision | Sheet | 1 of 1 |
| | | | | |

This drawing is the property of Materix AS and shall not be traced, copied nor forwarded to any third party or published in any other way without Materix AS written consent.