

8

7

6

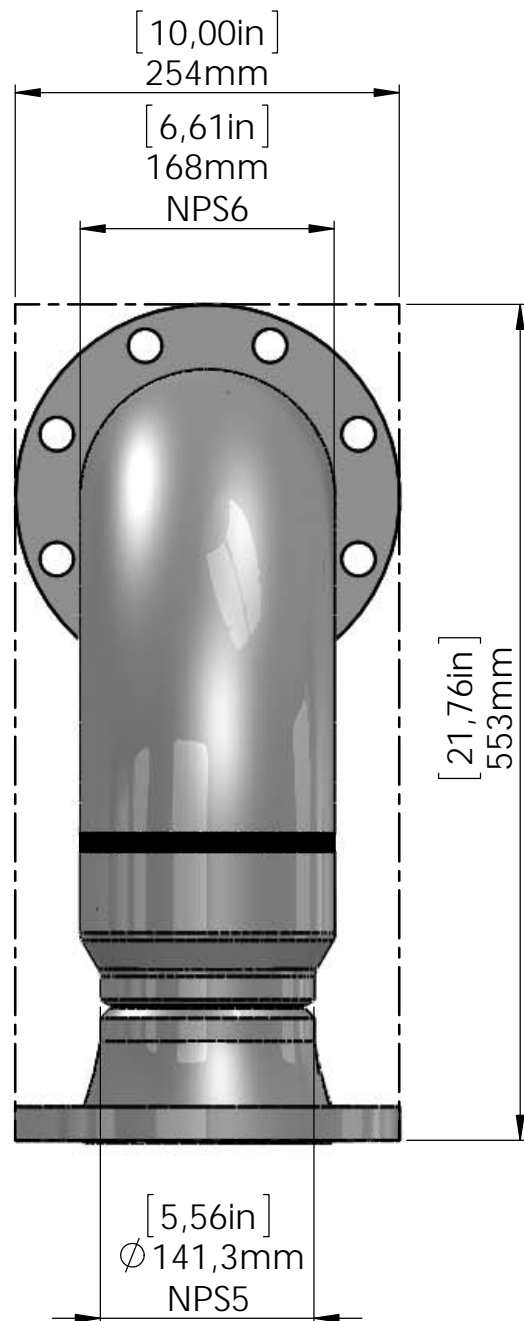
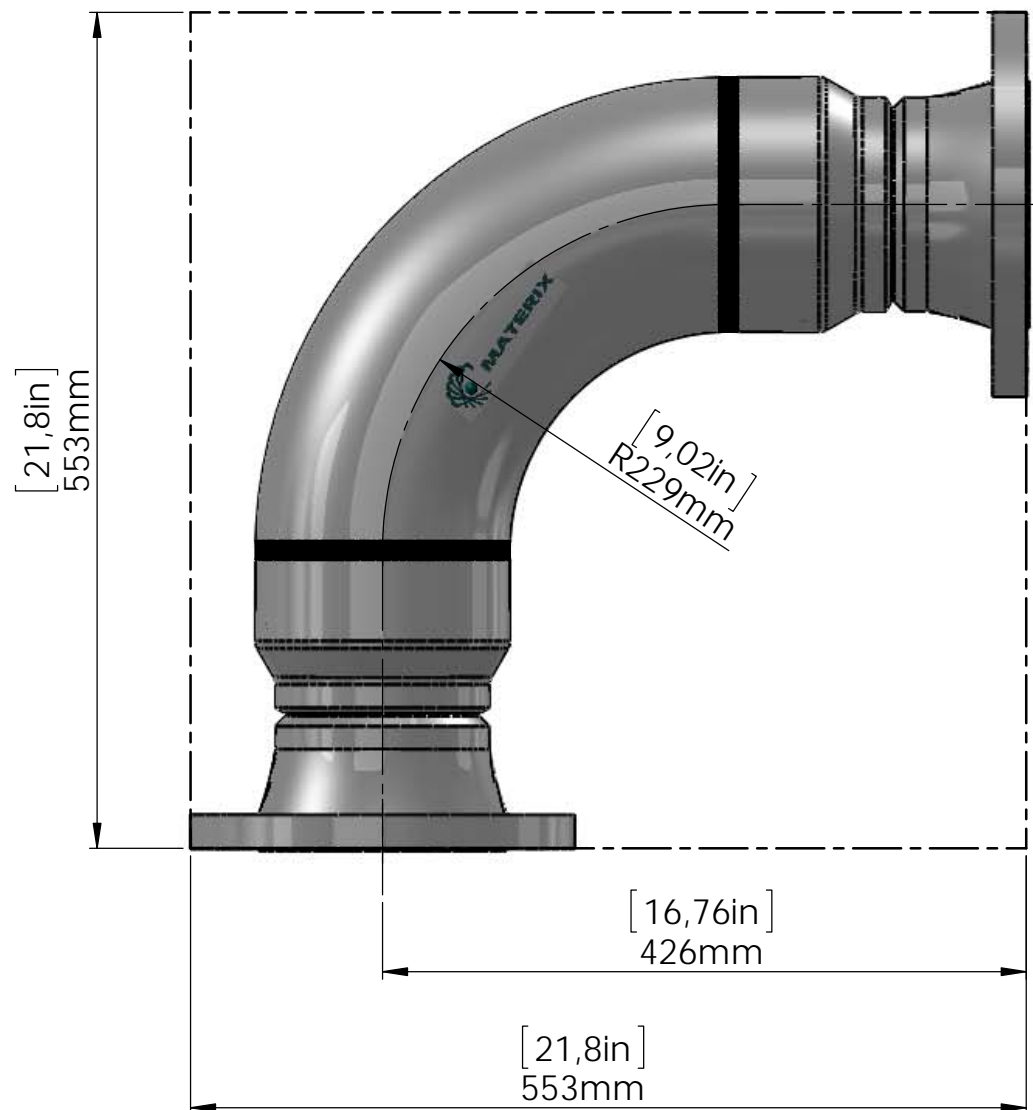
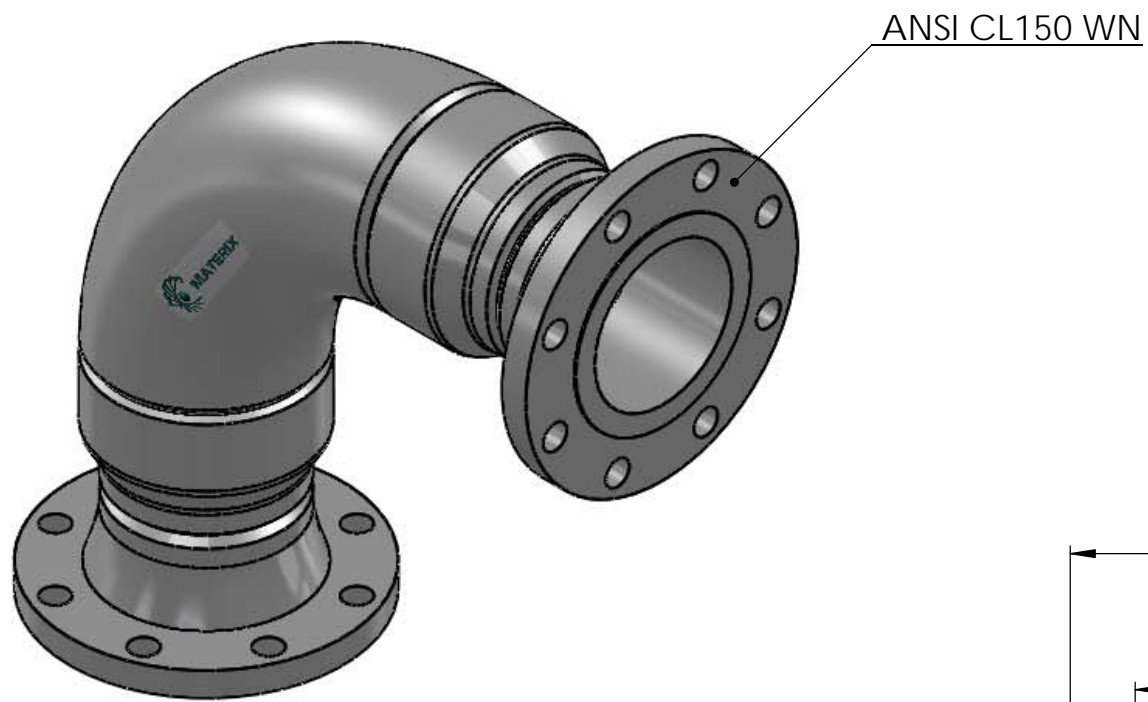
5

4

3

2

1



Notes

Specifications

MAWP	10bar
MDMT	-20°C
Design Temp	+150°C
Test Pressure	15 bar
Material: Carrier	Carbon steel
Material: Inlay	SiC
Connection	ANSI #150 WN NPS5 SCH40
Coating	NORSOK M710, System 1
CLR/OD Ratio	1.6D

Rev	Date	Description	Made by	Chk'd by	Appr by
0.1	04.01.12	Issued for Information		ELe	

		Project 1034_MTX	Client PNo.:	
<b>Title</b> WRPF LRE90 NPS5 SCH40 ANSI Interface		Client Ref.:	Weight 25.79	
Dwg number 1034-MTX-AD-0095-2		Revision 0.1	Sheet 2 of 2	Tolerance NS-ISO 2768-1-f Surface Finish Ra 1.6 Scale 1:5

This drawing is the property of Materix AS and shall not be traced, copied nor forwarded to any third party or published in any other way without Materix AS written consent.