

8

7

6

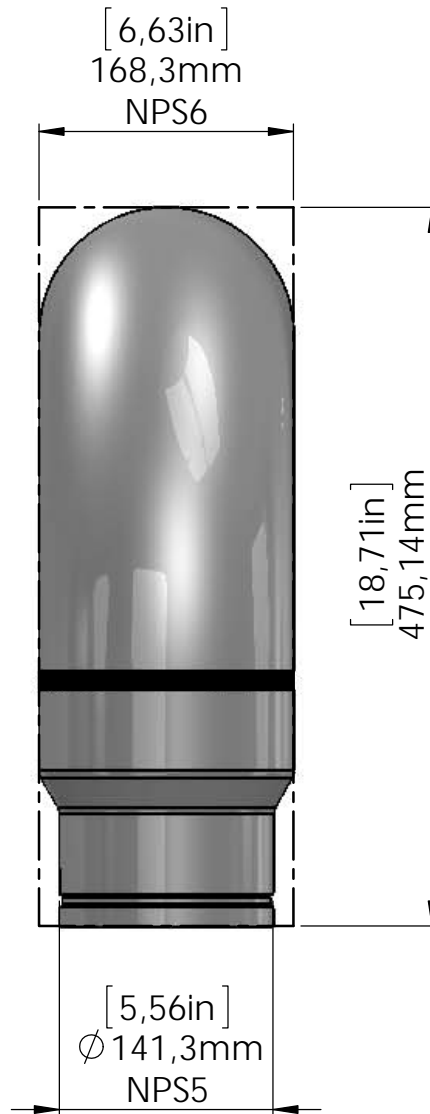
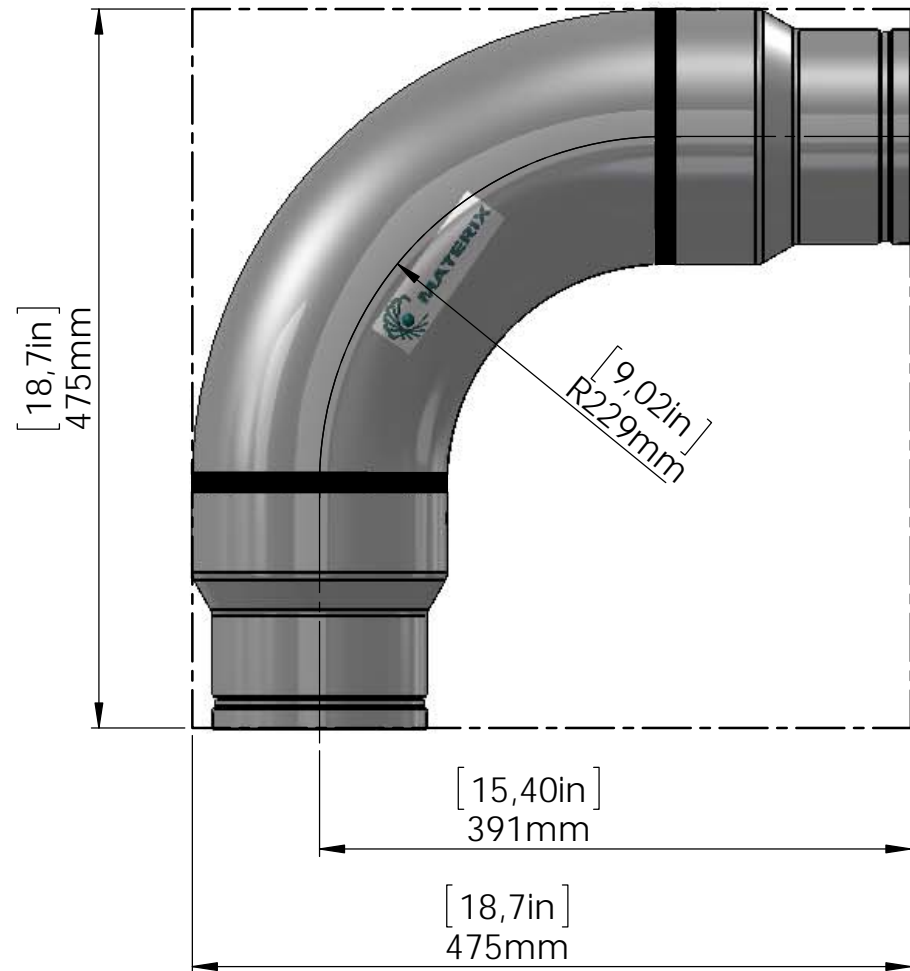
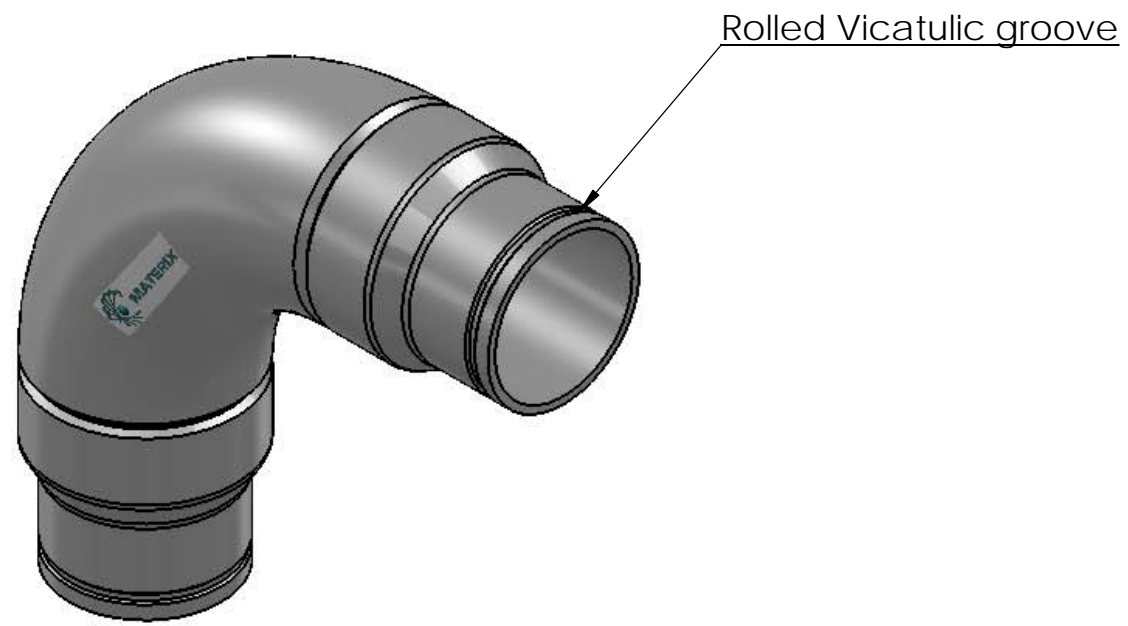
5

4

3

2

1



Notes

Specifications

MAWP	10bar
MDMT	-20°C
Design Temp	+150°C
Test Pressure	15 bar
Material: Carrier	Carbon steel
Material: Inlay	SiC
Connection	Victaulic NPS5
Coating	NORSOK M710, System 1
CLR/OD Ratio	1.6D

Rev	Date	Description	Made by	Chk'd by	Appr by
		Issued for Information	ELe		

		Project 1034_MTX	Client PNo.:	
Title WRPF LRE90 NPS5 SCH40 VIC Interface		Client Ref.:	Weight 26.03	
Dwg number 1034-MTX-AD-0095-2		Tolerance	Surface Finish	
		Sheet Size A3	Scale 1:5	A
		Revision 0.1	Sheet 1 of 2	

This drawing is the property of Materix AS and shall not be traced, copied nor forwarded to any third party or published in any other way without Materix AS written consent.